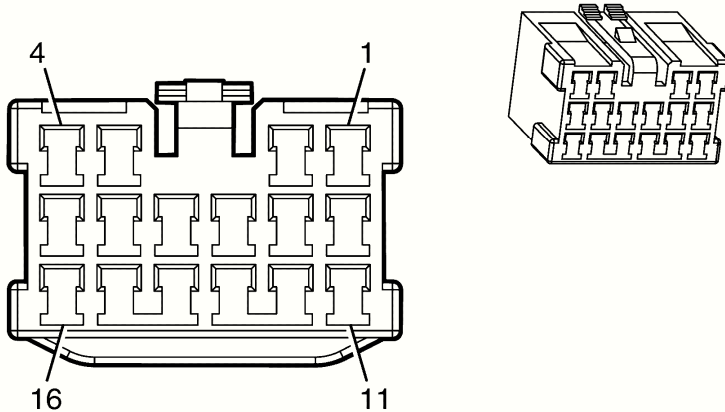


Connector is located on the right side behind glove box



Connector Part Information

OEM: 1318386

Service: See Catalog

Description: 16-Way F

Connector

Pin	Wire Color	Circuit No.	Function
-----	------------	-------------	----------

1	0.5 OG/WH	Battery Positive Voltage
---	-----------	--------------------------

2	0.5 PK/BU	Ignition 1 Voltage	to RED wire VIM/backup switch Module
---	-----------	--------------------	--------------------------------------

3	0.5 L-GN	Backup Lamp Supply Voltage	to 1 Wire on RELAY
---	----------	----------------------------	--------------------

4	0.3 D-GN	Low Speed GMLAN Serial Data	to GREEN wire VIM/backup switch Module
---	----------	-----------------------------	--

5	0.3 BN	Accessory Voltage
---	--------	-------------------

6	0.3 D-BU
---	----------

7	0.3 OG/BK
---	-----------

8	0.3 L-BU
---	----------

9	0.3 WH
---	--------

10	0.3 BK	Ground	to BLACK VIM/backup switch module and 2 wire on RELAY
----	--------	--------	---