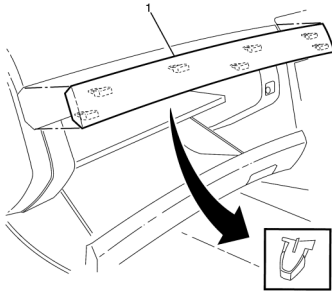


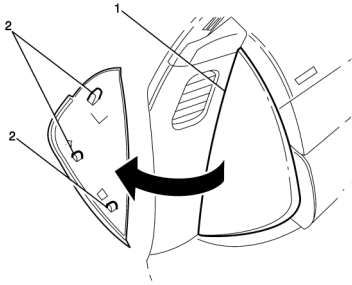
G8 JHP Sport gauges installation.

Step 1. Instrument Panel Trim Panel removal



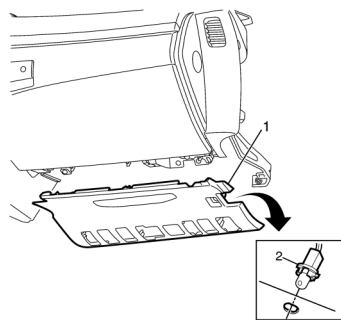
1. Using a suitable tool disengage the trim panel (1) retaining clips.
2. Remove the trim panel (1) from the I/P pad.

Step 2. Instrument Panel Outer Trim Cover removal



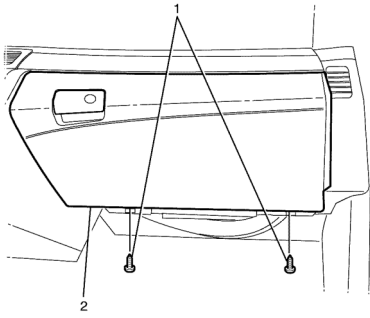
1. Grasp the lower area of the instrument panel outer cover (1) and carefully pull to disengage the retaining clips (2). The left side is shown, the right side is similar.
2. Remove the instrument panel outer cover (1) rotating upwards to disengage remaining clip (2).

Step 3. Instrument Panel Insulator Panel removal - Right Side and Left Side **RIGHT**

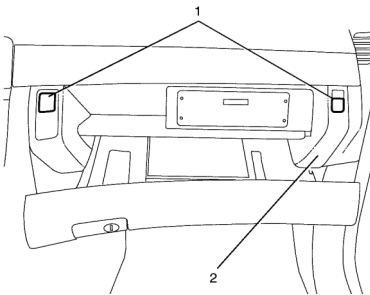


1. Grasp the instrument panel (I/P) insulator panel (1) and carefully pull downward to disengage the retaining clips.
2. Remove the courtesy lamp socket assembly (2) from the I/P insulator panel by turning the socket counter-clockwise. (not an option on G8)
3. Remove the I/P insulator panel (1).

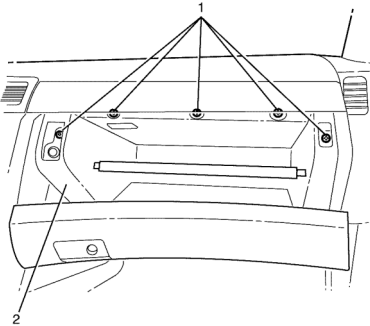
Step 4. Instrument Panel Compartment removal



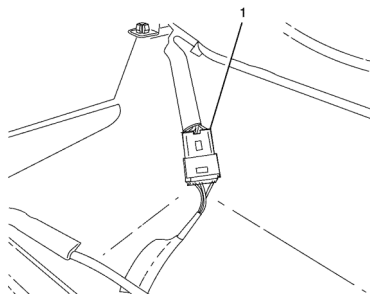
1. Remove the I/P compartment assembly lower retaining screws (1).
2. Open the I/P compartment assembly door (2).



3. Remove the I/P compartment retaining screw covers (1) from the I/P compartment (2).

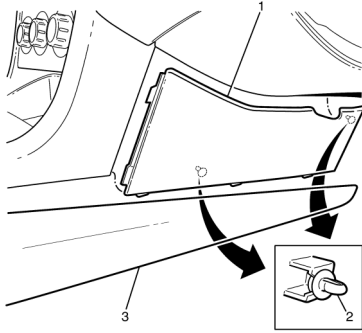


4. Remove the I/P compartment upper retaining screws (1).
5. Remove the I/P compartment (2).



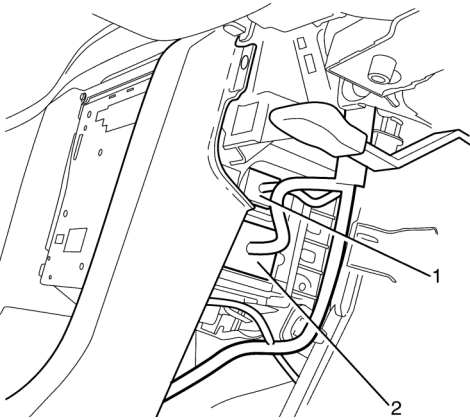
6. Disconnect the I/P compartment electrical connector (1) from the I/P compartment wiring harness.

Step 5. Instrument Panel Extension removal



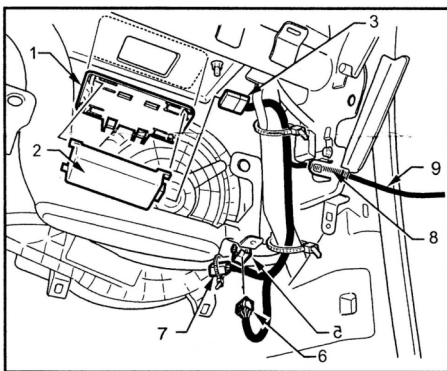
1. Disengage the I/P extension panel (1) to I/P carrier retaining clips (2).
2. Remove the I/P extension panel (1) from the centre console side trim panel (3).

Step 6. Radio connector



1. Disconnect the connector Small black connector on the right bottom of the connectors assemble.
2. connect new harness connector to the radio and original radio connector to the new harness

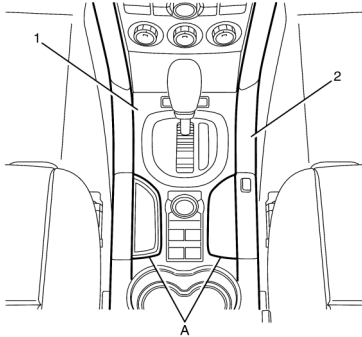
Step 7. Bluetooth module install



1. Take the Bluetooth control module and place it as shown on the picture on the right in an empty area. Reinforce it so it won't vibrate. Use zip ties if needed.
2. Connect the Bluetooth control module harness to the module.
3. Connect the Bluetooth harness connector (6) into the vehicle connector (5).
4. Zip tie the Bluetooth harness to the vehicle body harness (2 places).

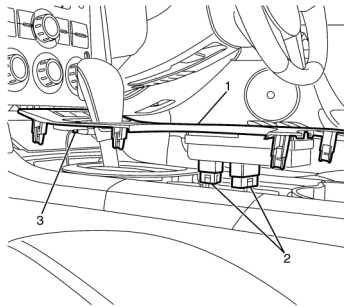
5. Wrap additional electrical tape around the part of the FIGURE 6 microphone harness that passes through the hole in the outboard sheet metal dashboard support plate (8). Pass the microphone connector through the hole in the sheet metal and carefully pull through the microphone harness (9). Ensure the tape is positioned through the hole.

Step 8. Console Trim Plate removal



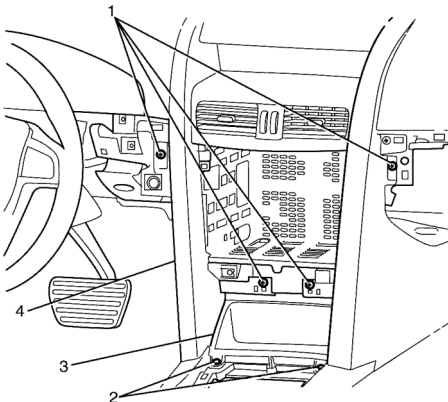
Important: The front floor console front cover (1) is retained by clips.

1. Grasp the front floor console front cover (1) at (A) and pull upwards to disengage the retaining clips from the floor console (2).



2. Disconnect the window and exterior mirror switch electrical connector (2).
3. Disconnect the Traction Control/ESP and Power switch (if fitted) electrical connectors (3).
4. Remove the front floor console front cover (1).

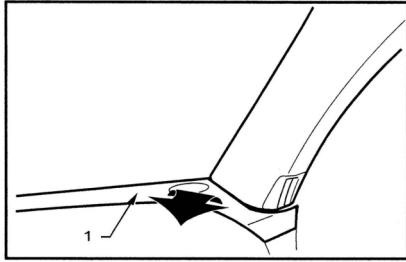
Step 9. 12V outlet Trim Panel removal Bluetooth button installation



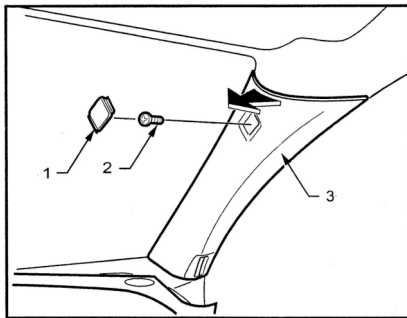
1. Remove the instrument panel center trim panel storage bin to console retaining screws (2).

2. Remove the instrument panel center trim panel storage bin (3).
3. Unplug 12V outlet connector.
4. reinstall Bluetooth button instead of 12V outlet

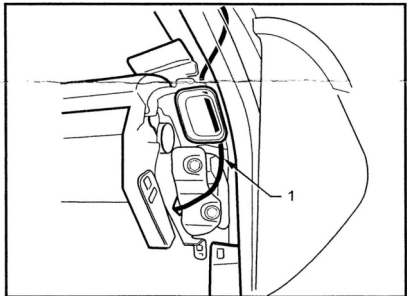
Step 10. microphone installation



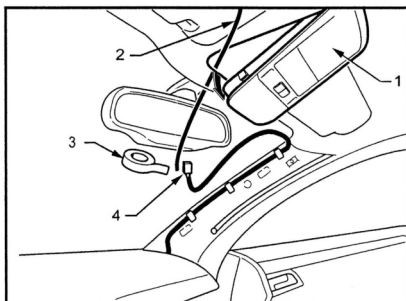
1. Lift and pull the dashboard to windscreen cover into the centre of the vehicle enough to allow the "A" pillar trim to be removed.



2. Using a small flat bladed screwdriver on the lower short edge of the A pillar screw cover (1), apply pressure to release the cover. Remove the screw (2) from the A pillar trim (3). Hold the top of the trim and pull to the centre of the vehicle to remove.

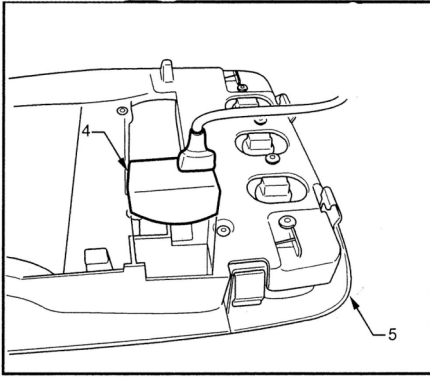


3. Run the microphone harness up behind the side air ducts.



4. Run the harness up along the front edge of the 'A' pillar clear of fixing slots in the sheet metal and the airbag curtain strap (if fitted). Tape the harness into position
5. Carefully pull down on the front edge of the roof mounted interior light cluster (1) to release from the head lining of the vehicle. Allow the light cluster to hang.

6. Feed a guide wire (2) from the light cluster aperture to the front of the roof lining. Tape (3) the microphone harness connector (4) to the guide wire and pull the connector through to the light cluster aperture. Remove the guide wire.
7. Tuck the microphone harness up behind the front edge of the roof lining.



8. Seat the microphone (4) in the microphone compartment in the light cluster(5)

Step 11. Assemble interior of the car

1. Assemble interior using **Step 10** thru **Step 1** in reverse order

Enjoy your new Bluetooth!