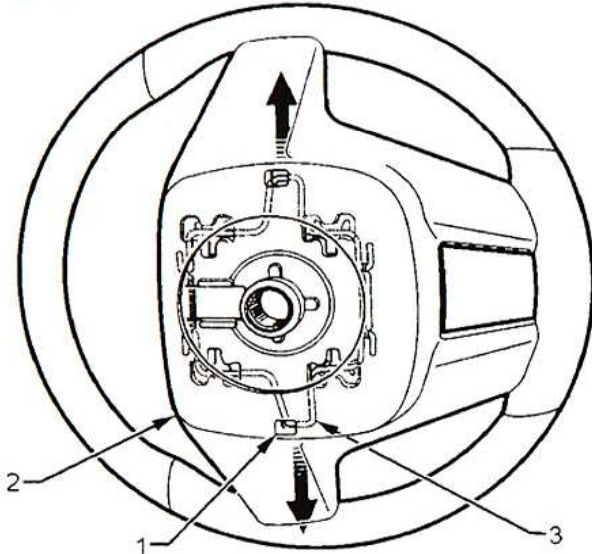


Interior Trim Kit

1. Disconnect the vehicle battery and let the vehicle stand for 3 minutes before commencing work on the steering wheel.
2. Rotate the steering wheel 90 degrees and pass the steering wheel airbag release tool into the rectangular slot (1) in the rear steering wheel cover (2). Use the tool No. EL-48508 to lever the retaining spring (3) up to release one side of the airbag. Rotate the wheel 180 degrees and repeat on the other side of the airbag. Refer to figure 1.

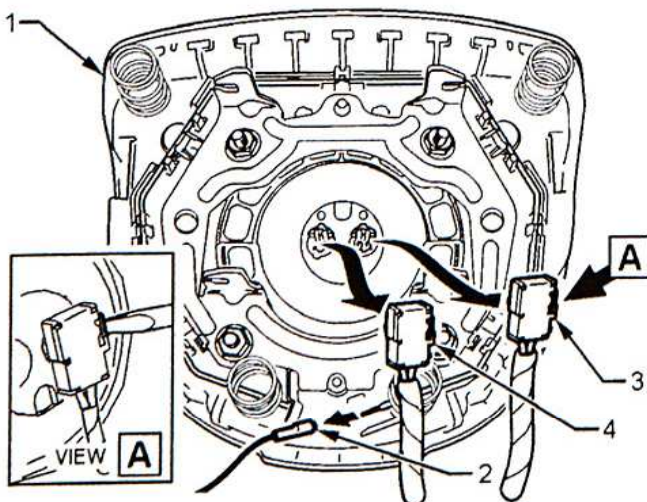
FIGURE 1



Refer to figure 2 for the following:

3. Lift the airbag (1) from the steering wheel and disconnect the horn connection (2) and the airbag primary (3) and secondary (4) connections.
4. Place the airbag on its back away from the vehicle and any electrostatic sources.

FIGURE 2

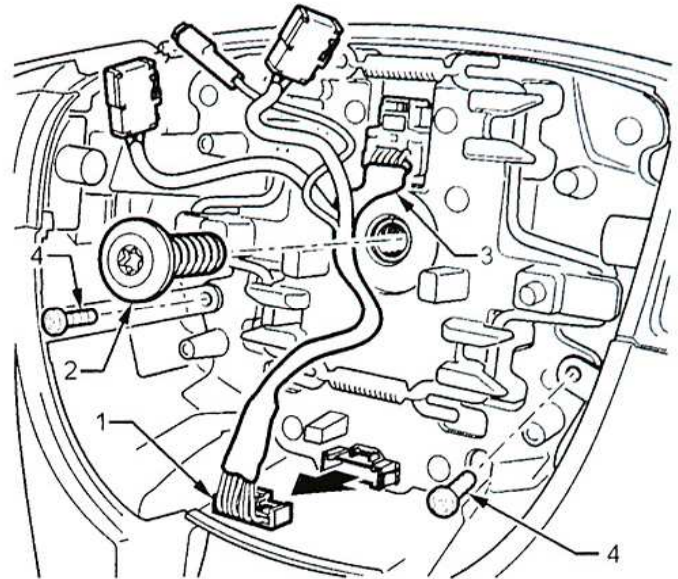


Refer to Figure 3 for the following:

5. Disconnect the long straight vehicle body harness connector (1) from the steering wheel body.
6. Straighten the steering wheel and remove the steering wheel retaining bolt (2).

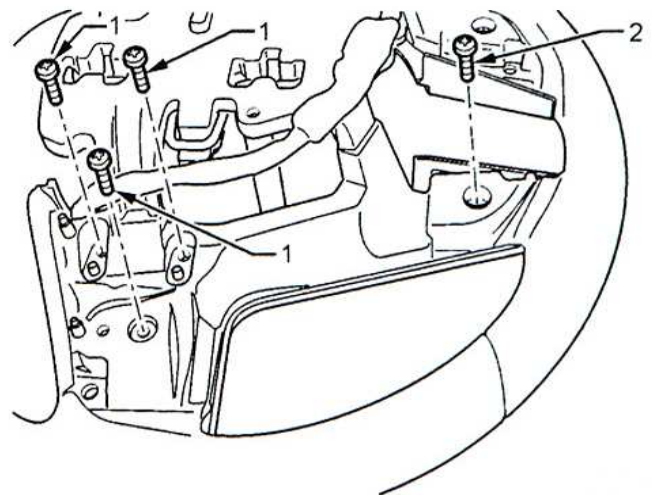
7. Remove the steering wheel feeding the harness (3) out of the wheel.
8. Remove the screws (4) in the airbag recess, one each side to release the rear cover of the steering wheel, pull to release the clips holding the cover to the steering wheel.

FIGURE 3



9. On the back of the wheel remove the 6 screws (1) retaining the steering wheel switches to the wheel (3 screws for each switch) and the screws retaining the cover to the spokes (2). Refer to figure 4.

FIGURE 4



10. Release the switches from the steering wheel spoke covers and fit the replacement covers.
11. Reassemble the steering wheel on reverse order fitting the Blue airbag electrical connector first followed by the Yellow connector and apply Blue Loctite to the steering wheel retaining bolt.
12. Reconnect the vehicle battery and reenter the radio security code.

13. Open the glovebox and pull the trim strip (1) from the vehicle. Check that no clips (2) remain in the fixing points and fit the replacement trim. Refer to Figure 5.
14. On the drivers side remove the trim starting from the outboard end of the trim and work to the center of the vehicle and repeat previous step.

FIGURE 5

