

JHP LIP SPOILER FITTING INSTRUCTIONS

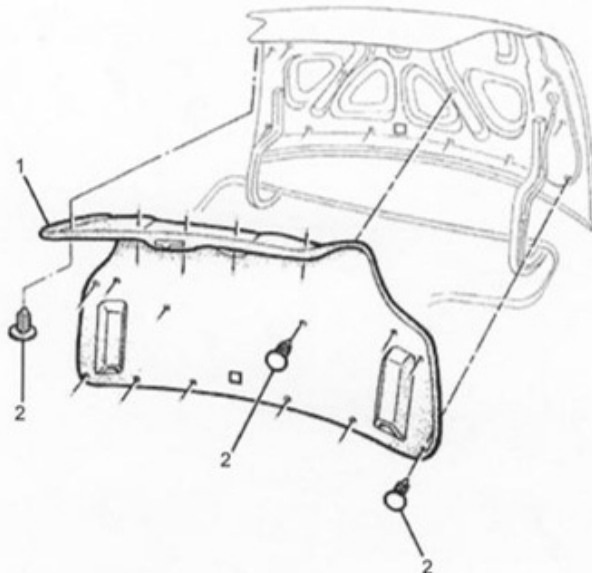
Congratulations your purchase of the JHP Lip Spoiler, before painting the spoiler you should 1st check everything is in the kit and the spoiler has arrived in good order.

Kit contents

- x1 Lip spoiler
- x4 Screws
- x4 Washers
- x1 Length of foam sealing tape (about 10 inches long)

Spoiler removal

1. Remove the trunk lid boot carpet (17 clips)



2. Unplug your spoiler stop light from inside the boot lid
3. Unscrew the 4 / 5 spoiler screws that secure the spoiler to the trunk (those of you with the 3 leg spoiler will have 5 screws and those with the two leg spoiler will have 4)
4. Lift off the spoiler, be careful of the wiring for the spoiler as it may get caught in the trunk lid and you may have to wriggle the wire to get it free. It pays to have two people to lift off the spoiler.

JHP SPOILER INSTALLATION

1. Install two pieces of the foam tape along the outside edges of the spoiler as shown in the picture below



2. Trial fit the spoiler to your trunk, you may have to elongate the factory holes in your trunk, try not to go outside the larger hole that is factory stamped on the inner trunk skin



3. Use the JHP vinyl sticker to cover the hole in your trunk that the factory spoiler wiring used
4. Now fit the JHP lip spoiler to your trunk be careful not over tighten the nuts or the screws as you might damage the spoiler

