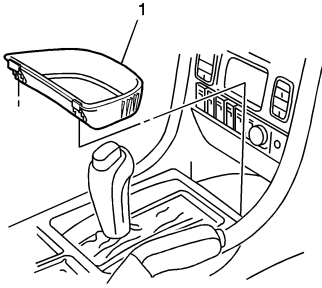


## Door LOCK/UNLOCK button install

**Notice: It's strongly recommended to disconnect the battery during this procedure**

### Console Tray Insert Replacement

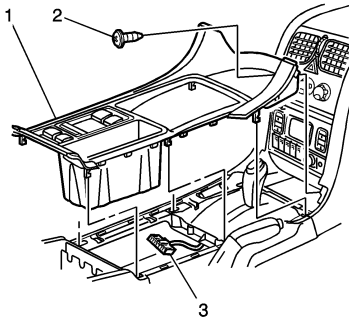
#### Removal Procedure



1. Remove the floor console tray insert (1) by lifting upwards to disengage it from the console.
2. Remove console tray insert (1) from vehicle.

### Trim Plate Replacement - Console

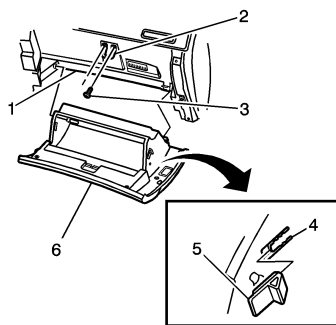
#### Removal Procedure



1. Remove the console tray insert.
2. Remove the screw (2) attaching the console trim plate (1) to the floor console.
3. Pull up on the console trim plate disconnecting the six retaining tabs.
4. Disconnect the power window switch and traction control switch connectors (3), if equipped.

### Door Replacement - Instrument Panel (I/P) Compartment

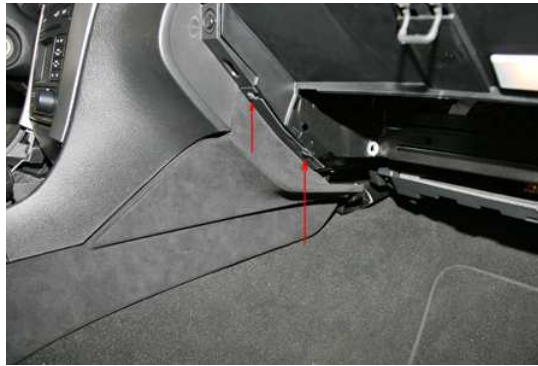
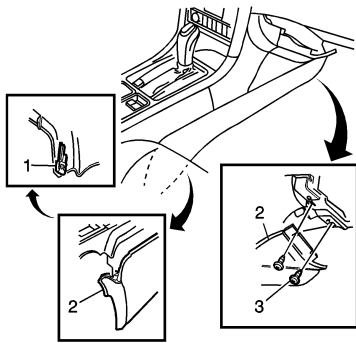
#### Removal Procedure



1. Open the instrument panel compartment door (6).
2. Using a flat-bladed tool, flatten the instrument panel compartment door bumper stops (5) on each side of the compartment and carefully open the compartment assembly fully.
3. From the inside of the compartment (6) push outwards on the bumper stops (5), and slide the bumper stops (5) from the lugs (4) on each side of the compartment.
4. Close the compartment a third of the way and grab both sides of the compartment approximately half way down the side and pull the right-hand side away from the instrument panel (1) to disengage it from the hinge.
5. When the compartment has disengaged from the right-hand clip, move the compartment towards the right-hand side of the vehicle to disengage the compartment hinge from the instrument panel.

## Console Trim Panel Replacement - Right

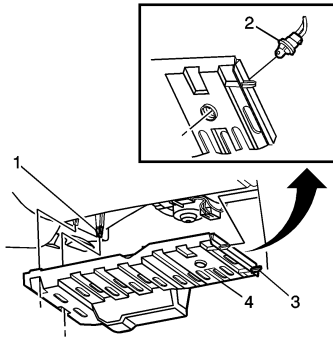
### Removal Procedure



1. Open the instrument panel compartment door.
2. Remove the 2 screws (3) attaching the right console trim panel (2) to the instrument panel.
3. Pull the rear of the right console trim panel (2) downward to disengage it from the floor console retaining clip (1).
4. Remove the right console trim panel (2) from the floor console.

## Closeout/Insulator Panel Replacement - Right

### Removal Procedure



1. Carefully pull the closeout panel (4) downwards to disengage the two retaining clips (1).
2. Remove the closeout panel (4) from the hinge pillar panel, disengaging the two retaining lugs (3).
3. Lower the closeout panel (4) and remove the stepwell lamp (2) by rotating the socket and removing from the closeout panel (4).
4. Remove the closeout panel from the vehicle.

## Body Control Module Replacement

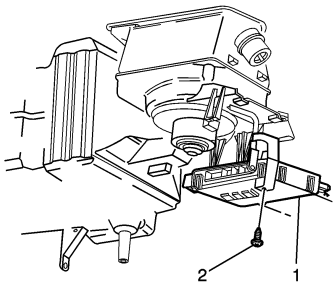
### Removal Procedure

#### Notice

Electrostatic discharge (ESD) can damage many solid-state electrical components. ESD susceptible components may or may not be labeled with the ESD symbol. Handle all electrical components carefully. Use the following precautions in order to avoid ESD damage:

Touch a metal ground point in order to remove your body's static charge before servicing any electronic component; especially after sliding across the vehicle seat.

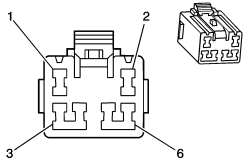
- Do not touch exposed terminals. Terminals may connect to circuits susceptible the ESD damage.
- Do not allow tools to contact exposed terminals when servicing connectors.



1. Remove the screw (2) attaching the BCM (1) to the bracket.
2. Release the rear retaining tab and gently remove the BCM from the mounting bracket.
3. Disconnect the 4 wiring harness connectors by pressing each connector tab and pulling the connector away from the module.

# Wiring

1.



Connect two short wires to the traction control plug wires (colors of the short wires don't matter). One wire is dark brown-white, another is gray pins 2 and 6 (pin count is done from the front of the plug, not the wire side)

2.

On M6 T/C plug is connected directly to T/C button  
On A4 T/C plug is connected to the white connector

M6



A4



3.

Route the long wires to the BCM like shown in the picture.



Full detailed wiring text provided with actual supplied door lock kit. (Deliberately omitted from this web manual)

4.



Full detailed wiring text with pin layout diagram provided with actual supplied door lock kit. (Deliberately omitted from this web manual)



**NOTE:** Brown connectors, need to be pressed tight with pliers, otherwise they will not penetrate the insulation of the wire and will not connect well.

5.

**NOTE: Door lock operates ONLY with doors closed**



Assemble your interior using the new bezel and door lock button.

Enjoy. ☺